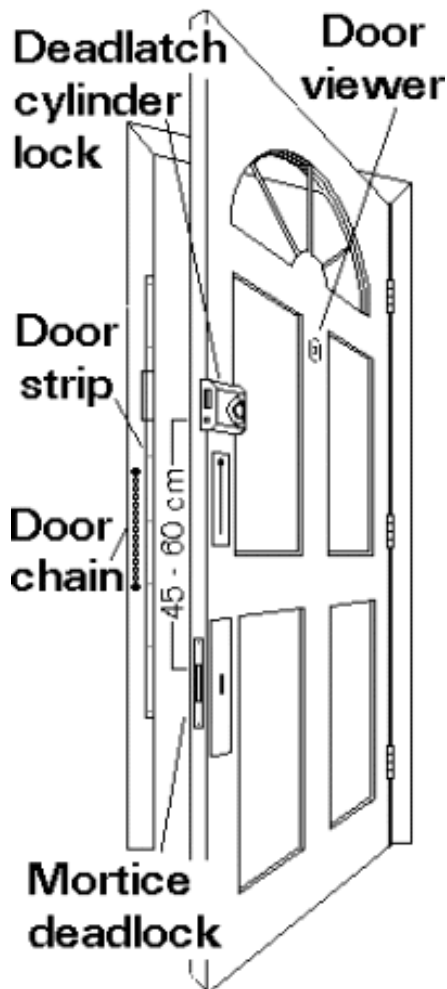
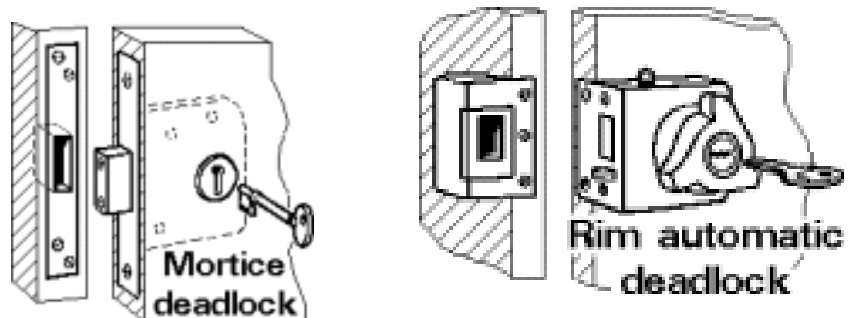


## Front door security

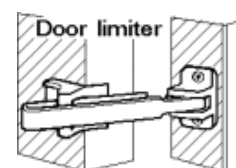
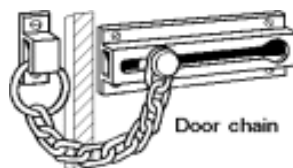
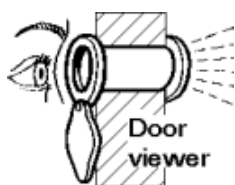


A rim latch (Yale type) on its own is not sufficient. The door should also be fitted preferably with a 5 lever mortise deadlock, though insurance companies will accept a rim automatic deadlock; both **must** be to British Standard 3621 or the equivalent European Standard EN12209.

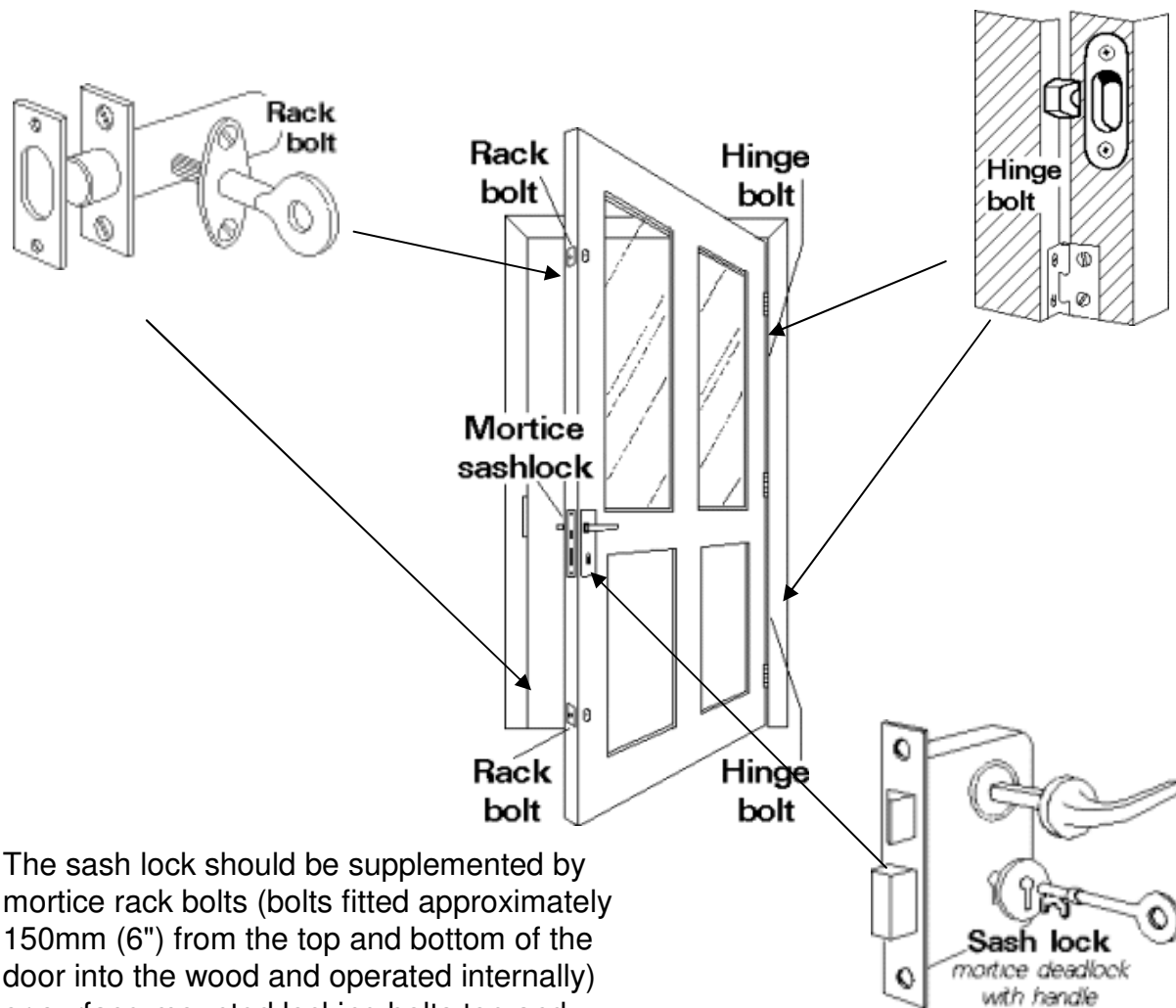


Quality locks are only as strong as the doors and frames to which they are attached. Ensure that the frame is sound and the door suitable for external use; for instance, a wooden hollow core door would not be suitable. It should be of substantial construction, at least 44mm (1 3/4") thick to support the mortise lock and hung on three strong 100mm (4") hinges. The rim latch and the mortise should be fitted 45 to 60cm (18-24") apart. In the door itself recessed or decorative panels should be a minimum of 9mm (1/3") thick. Doors with glazed panels are inherently less secure than solid doors, hence the need for a deadlock. Consider replacing ordinary or toughened glass panels with laminated glass - two pieces of glass bonded together with a sheet of laminate - as they offer much greater resistance to attack.

For added safety and security fit a spy hole and door chain or limiter.



## Back Door

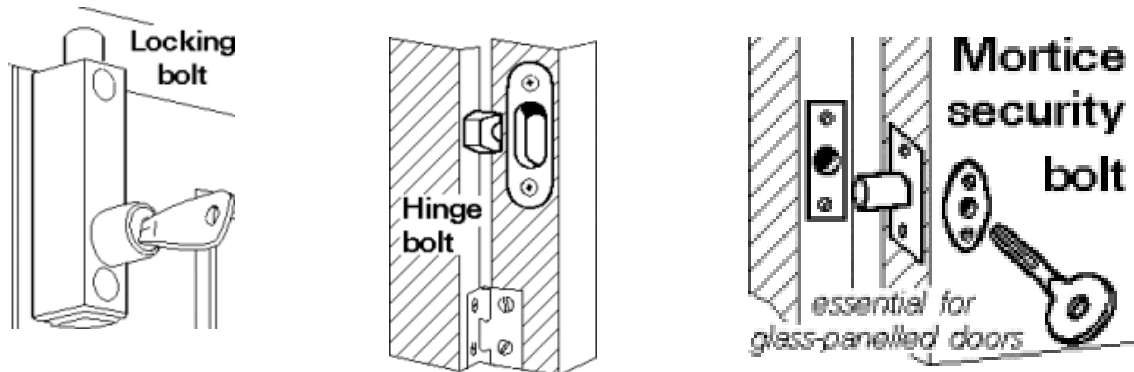


The sash lock should be supplemented by mortice rack bolts (bolts fitted approximately 150mm (6") from the top and bottom of the door into the wood and operated internally) or surface-mounted locking bolts top and bottom. They should always be fitted at 90° to the grain of the wood, reducing the likelihood of the wood splitting if subjected to pressure. Any glass panels should be laminated and fitted from the inside to prevent the putty or beading being removed. Grilles could also be fitted to the inside of the panels.

The door should be fitted with a 5 lever 2 bolt mortice sash lock halfway up the door, (a deadlock with a handle for convenience). Unlike front doors, many insurance companies do not specify that they should be to British Standard 3621 or equivalent European Standard EN 12209, though the use of this standard of lock is recommended.

# French Windows and Patio Doors

French windows are intrinsically less secure than single leaf doors, which may reflect on their comparative lack of popularity as compared with the modern patio door. However, this need not be the case provided that suitable security measures are taken.



Both doors should be fitted with mortice rack bolts (bolts fitted within the door and operated internally by a threaded key). Alternatively, use surface-mounted locking bolts (push to lock, key to open). Whichever type you use, fit top and bottom to provide rigidity.

If the style of door is capable of it, a mortice sash lock can be fitted for extra security (rebate sets may also be required).

As most French Doors are outward opening, the addition of hinge bolts is also recommended. They should be located 100-150mm (4-6") below the top hinge and similarly above the bottom.

